

## One Year Unconditional Warranty

If for any reason, this ProMaster product fails within ONE YEAR of the date of purchase, return this product to your ProMaster dealer and it will be exchanged for you at no charge. ProMaster products are guaranteed for ONE FULL YEAR against defects in workmanship and materials. If at any time after one year, your ProMaster product fails under normal use, we invite you to return it to ProMaster for evaluation.



*Vertical Control*  
***Power Grip***

**FITS CANON T6, T5, T3**

CODE 8006

Congratulations on your purchase of the ProMaster Vertical Control Power Grip for the Canon T6, T5, T3. This battery grip will provide longer shooting times for your camera, comfortable photography when taking vertical-orientation shots, and a more stable overall camera rig which reduces the chance of shake and blur.

To ensure proper operation, please read this manual thoroughly before using this product. This grip is specially designed for the Canon EOS T6, T5, and T3 cameras. It is equipped with an alternate shutter button and main dial for easy shooting in a vertical position. This battery grip can hold two LP-E10 rechargeable Li-ion batteries to extend your shooting time.

## ◆ **Caution**

1. This product should only be used with compatible devices specified in this instruction sheet.
2. Use **ONLY** the batteries and battery holder recommended.
3. Cover the power terminals with the contact cap when not in use. This prevents electrical shorts caused by metal objects touching the terminals.
4. When the battery holder is removed from the grip, remove the batteries or place the holder in a container to prevent electrical shorts caused by contact with other metal objects.
5. The battery level may not display properly if batteries are inserted before attaching the grip to the camera.
6. Remove the batteries from the grip when not in use for an extended period.
7. Do not disassemble or repair this product yourself. Doing so will void your warranty.
8. Avoid water or extreme humidity and be sure to store in a cool, dry location.
9. Do not dispose of in fire or extremely high temperature environment.
10. Keep the product or parts away from children to avoid hazard from swallowing.

◆ Part Names

① Protective Cover

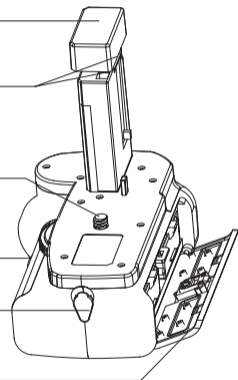
② Power Contacts

③ Attachment Screw

④ Anti-slip Rubber Grip

⑤ Signal Cable Socket

⑥ Battery Compartment Cover



⑦ Tripod Socket

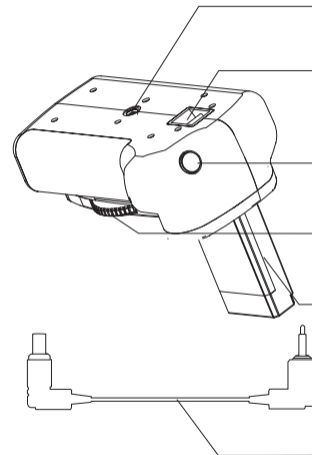
⑧ Hand Strap Mount

⑨ Shutter Button

⑩ Attachment Wheel

⑪ Camera Battery Compartment  
Cover Slot

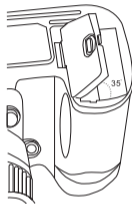
⑫ Signal Cable



## ◆ Attaching to the camera

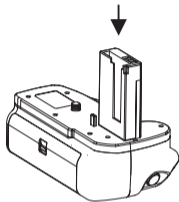


1. Please turn off the camera.

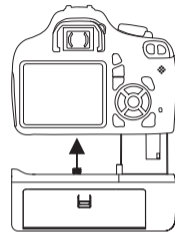


2. Open the camera's battery chamber. Carefully remove the battery chamber cover by gently pulling while it is aligned at a 35° angle. Refer to your camera's instruction manual for more information.

- 4 -



3. Store the camera battery chamber cover in the Camera Battery Compartment Cover Slot (11) on the grip.

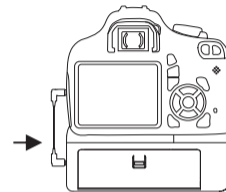


4. Align the grip with the camera paying attention to the Power Contacts (2) which go straight into the camera's battery chamber. Also align the Attachment Screw (3) with the camera's tripod socket.



5. Turn the Attachment Wheel (10) in the direction of the LOCK arrow to securely fasten the power grip to the tripod mount on your camera.

- 5 -



6. Connect the included Signal Cable (12) to the battery grip using the Signal Cable Socket (5). Connect the other end of the cable to the T6's accessory terminal.

## ◆ Operation and Use of the Grip

1. Install two batteries into the grip's battery compartment.
2. Your camera must be turned ON for the grip to operate.
3. Use the grip's Shutter Button (9) to comfortably autofocus and take photographs while holding your camera in a vertical position.
4. Use the tripod socket (7) to mount your grip and camera to a tripod or quick release plate.

## ◆ Specifications sheet

Model	8006
Power Source	1or 2 LP-E10 Li-Ion batteries
Camera Compatibility	Canon T6/T5/T3
Operating Temperature	0~40° (32~104°F)
Dimensions	Approx. 129 x 75 x 99mm
Weight (without batteries)	Approx. 149.6g

\* Approximate measurements

\* All the trademarks are the property of their respective owners

\* Specification and design are subject to change without notice